

# Open Display Merchandisers

Display Cases  
Open Display  
Merchandisers

**NEW**

## Horizontal Open Display Cases - Slim Line Top Display Dry Case Combination Models



### FEATURES / BENEFITS

- ENVIRONMENTAL FRIENDLY, EFFICIENT REFRIGERATION SYSTEM**  
 Turbo Air's refrigerators are designed with oversized and balanced environmental friendly R-134A (CFC Free) refrigeration. These include large evaporators and condensers for fast cooling and balanced temperature throughout the cabinet.
- ATTRACTIVE GLASS SIDED ELEGANT EURO DESIGN**  
 Glass front shield and side walls optimize the merchandiser's display effects of fresh salads, sandwiches, desserts and beverages. Its elegant contemporary euro design will enhance any store application.
- DESIGNED TO OPTIMIZE IMPULSE SALES**  
 Ideal for eye-catching displays and convenient access with fast service in high traffic area.
- NON-PEEL, DURABLE ANTI-RUST COATING ON THE EXTERIOR REDUCES FINGERPRINTS**
- TOP DISPLAY DRY CASES (TOMD-H) AVAILABLE IN ALL SIZES-OPTIONAL**
- 300 SERIES STAINLESS STEEL INTERIOR STANDARD INCLUDING BACK WALL, SHELVES AND DECK PANS**
- PERFORATED INTERIOR BACK WALL AND TOP FOR IMPROVED AIR FLOW**
- FRONT AIR INTAKE AND REAR AIR DISCHARGE**
- STANDARD BACKGUARD IMPROVES AIRFLOW**
- FOAMED WITH POLYURETHANE, HIGH-DENSITY CELL INSULATION (CFC FREE)**
- WHITE AND BLACK COLOR COME STANDARD**
- RECOMMENDED OPERATING CONDITIONS**  
 \* TOM Models are designed to operate in an environment where temperature & humidity do not exceed 75°F and 55% respectively.  
 \* Units should not be installed near HVAC vents, fans or doorways that will disrupt the air curtain and compromise the function of the cabinet  
 \* Air curtain models will run most efficiently when completely loaded with product.

Model	CU./FT.	#of Shelves	HP	AMPS	Crated Weight	L D H
TOM-30S(B)	4.6	3	1/3	9	338	28 x 33 1/2 x 41 1/2
TOM-40S(B)	6.6	3	1/2	11	440	39 x 33 1/2 x 41 1/2
TOM-50S(B)	8.7	3	1/2	11	481	50 3/4 x 33 1/2 x 41 1/2
TOM-60S(B)	10.9	3	3/4	14.5	535	63 1/4 x 33 1/2 x 41 1/2
TOM-75S(B)	13.2	3	3/4	14.5	680	75 5/8 x 33 1/2 x 41 1/2
TOMD-30-H	2.1	1	N/A	N/A	31	28 x 12 1/4 x 17 3/4
TOMD-40-H	3	1	N/A	N/A	40	39 x 12 1/4 x 17 3/4
TOMD-50-H	4	1	N/A	N/A	49	50 3/4 x 12 1/4 x 17 3/4
TOMD-60-H	5	1	N/A	N/A	64	63 1/4 x 12 1/4 x 17 3/4
TOMD-75-H	6.1	2	N/A	N/A	71	75 5/8 x 12 1/4 x 17 3/4



# TOM-S/TOMD-H MODELS SPECIFICATIONS

MODEL	TOM-30S(B)	TOM-40S(B)	TOM-50S(B)	TOM-60S(B)	TOM-75S(B)
Exterior Dimension (LxDxH)	28x33 <sup>1</sup> / <sub>2</sub> x41 <sup>1</sup> / <sub>2</sub>	39x33 <sup>1</sup> / <sub>2</sub> x41 <sup>1</sup> / <sub>2</sub>	50 <sup>3</sup> / <sub>4</sub> x33 <sup>1</sup> / <sub>2</sub> x41 <sup>1</sup> / <sub>2</sub>	63 <sup>1</sup> / <sub>4</sub> x33 <sup>1</sup> / <sub>2</sub> x41 <sup>1</sup> / <sub>2</sub>	75 <sup>5</sup> / <sub>8</sub> x33 <sup>1</sup> / <sub>2</sub> x41 <sup>1</sup> / <sub>2</sub>
Interior Dimension (LxDxH)	25 <sup>1</sup> / <sub>2</sub> x24x13	36 <sup>5</sup> / <sub>8</sub> x24x13	48 <sup>3</sup> / <sub>8</sub> x24x13	60 <sup>3</sup> / <sub>4</sub> x24x13	73 <sup>1</sup> / <sub>2</sub> x24x13
Compressor (HP)	1/3	1/2	1/2	3/4	3/4
Voltage (i) NEMA-5-15P	(i) 115/60/1	(i) 115/60/1	(i) 115/60/1	(i) 115/60/1	(i) 115/60/1
AMP	9A	11A	11A	14.5A	14.5A
Plug-In	NEMA 5-15P	NEMA 5-15P	NEMA 5-15P	NEMA 5-15P	NEMA 5-15P
#of Shelves	3 ea	3 ea	3 ea	3 ea	3 ea
Shelf Size (Top)	25 <sup>1</sup> / <sub>2</sub> x7x2 <sup>1</sup> / <sub>2</sub>	36 <sup>1</sup> / <sub>2</sub> x7x2 <sup>1</sup> / <sub>2</sub>	48 <sup>1</sup> / <sub>4</sub> x14 <sup>1</sup> / <sub>8</sub> x3 <sup>1</sup> / <sub>4</sub>	60 <sup>3</sup> / <sub>4</sub> x14 <sup>1</sup> / <sub>8</sub> x3 <sup>1</sup> / <sub>4</sub>	73 <sup>1</sup> / <sub>8</sub> x14 <sup>1</sup> / <sub>8</sub> x3 <sup>1</sup> / <sub>4</sub>
(Middle)	25 <sup>1</sup> / <sub>2</sub> x14 <sup>1</sup> / <sub>8</sub> x3 <sup>1</sup> / <sub>4</sub>	36 <sup>1</sup> / <sub>2</sub> x14 <sup>1</sup> / <sub>8</sub> x3 <sup>1</sup> / <sub>4</sub>	48 <sup>1</sup> / <sub>4</sub> x14 <sup>1</sup> / <sub>8</sub> x3 <sup>1</sup> / <sub>4</sub>	60 <sup>3</sup> / <sub>4</sub> x14 <sup>1</sup> / <sub>8</sub> x3 <sup>1</sup> / <sub>4</sub>	73 <sup>1</sup> / <sub>8</sub> x14 <sup>1</sup> / <sub>8</sub> x3 <sup>1</sup> / <sub>4</sub>
(Lower)	25 <sup>1</sup> / <sub>2</sub> x9 <sup>3</sup> / <sub>4</sub> x3 <sup>1</sup> / <sub>4</sub>	36 <sup>1</sup> / <sub>2</sub> x14 <sup>1</sup> / <sub>8</sub> x3 <sup>1</sup> / <sub>4</sub>	48 <sup>1</sup> / <sub>4</sub> x14 <sup>1</sup> / <sub>8</sub> x3 <sup>1</sup> / <sub>4</sub>	60 <sup>3</sup> / <sub>4</sub> x14 <sup>1</sup> / <sub>8</sub> x3 <sup>1</sup> / <sub>4</sub>	73 <sup>1</sup> / <sub>8</sub> x14 <sup>1</sup> / <sub>8</sub> x3 <sup>1</sup> / <sub>4</sub>
Net Weight	255 lbs	313 lbs	370 lbs	440 lbs	498 lbs

MODEL	TOMD-30-H	TOMD-40-H	TOMD-50-H	TOMD-60-H	TOMD-75-H
Exterior Dimension (LxDxH)	28x12 <sup>1</sup> / <sub>4</sub> x17 <sup>3</sup> / <sub>4</sub>	39x12 <sup>1</sup> / <sub>4</sub> x17 <sup>3</sup> / <sub>4</sub>	50 <sup>3</sup> / <sub>4</sub> x12 <sup>1</sup> / <sub>4</sub> x17 <sup>3</sup> / <sub>4</sub>	63 <sup>1</sup> / <sub>4</sub> x12 <sup>1</sup> / <sub>4</sub> x17 <sup>3</sup> / <sub>4</sub>	75 <sup>5</sup> / <sub>8</sub> x12 <sup>1</sup> / <sub>4</sub> x17 <sup>3</sup> / <sub>4</sub>
Interior Dimension (LxDxH)	25 <sup>1</sup> / <sub>2</sub> x9 <sup>1</sup> / <sub>8</sub> x15 <sup>7</sup> / <sub>8</sub>	36 <sup>5</sup> / <sub>8</sub> x9 <sup>1</sup> / <sub>8</sub> x15 <sup>7</sup> / <sub>8</sub>	48 <sup>3</sup> / <sub>8</sub> x9 <sup>1</sup> / <sub>8</sub> x15 <sup>7</sup> / <sub>8</sub>	60 <sup>3</sup> / <sub>4</sub> x9 <sup>1</sup> / <sub>8</sub> x15 <sup>7</sup> / <sub>8</sub>	73 <sup>1</sup> / <sub>4</sub> x9 <sup>1</sup> / <sub>8</sub> x15 <sup>7</sup> / <sub>8</sub>
# of Shelves	1 ea	1 ea	1 ea	1 ea	2 ea
Shelf Size	25 <sup>1</sup> / <sub>2</sub> x7	36 <sup>1</sup> / <sub>2</sub> x7	48 <sup>1</sup> / <sub>4</sub> x7	60 <sup>3</sup> / <sub>4</sub> x7	36 <sup>1</sup> / <sub>2</sub> x7
Net Weight	31 lbs	40 lbs	49 lbs	64 lbs	71 lbs

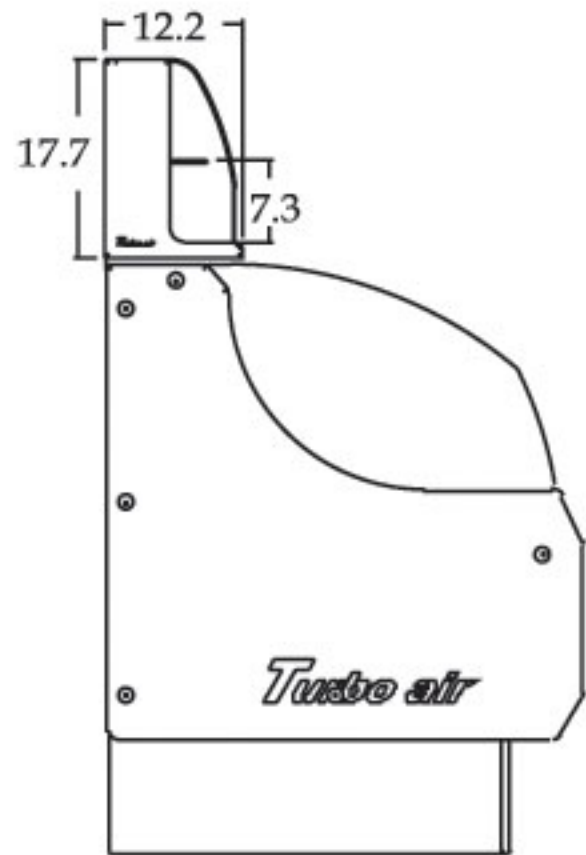
\*Design and specifications subject to change without notice.

■ **WARRANTY :** 1 Year Labor and Parts Warranty  
Additional 4 Years Warranty on Compressor

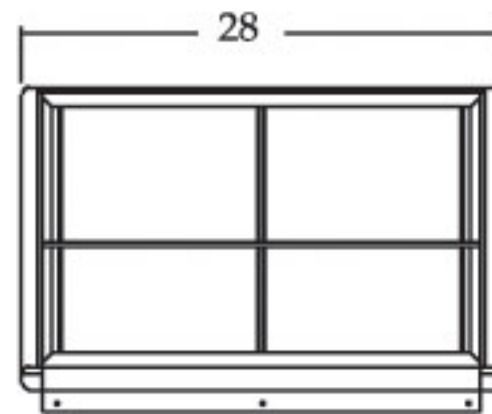
■ **SIMPLE PLUG - IN INSTALLATION**

■ **PATENTED SELF-CONTAINED SYSTEM  
NO PLUMBING REQUIRED**

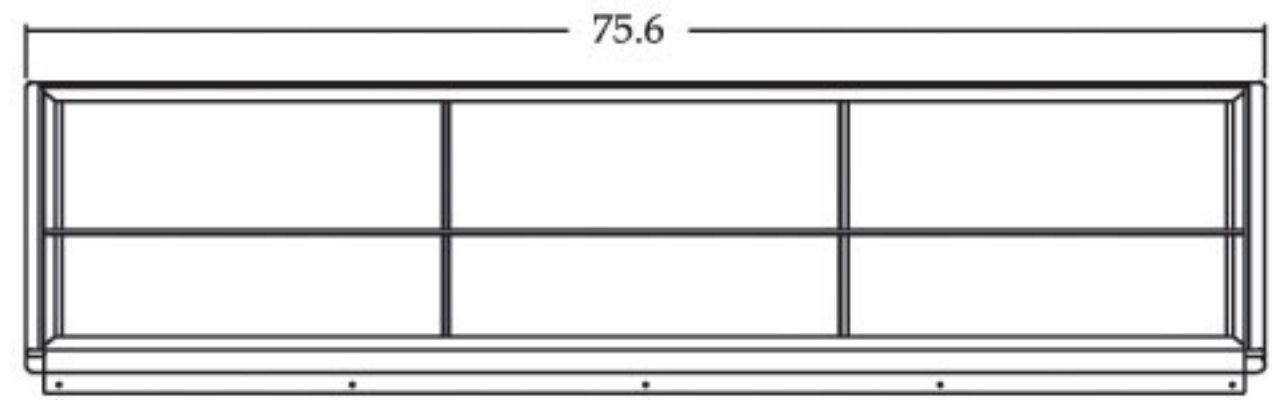
(unit : inch)



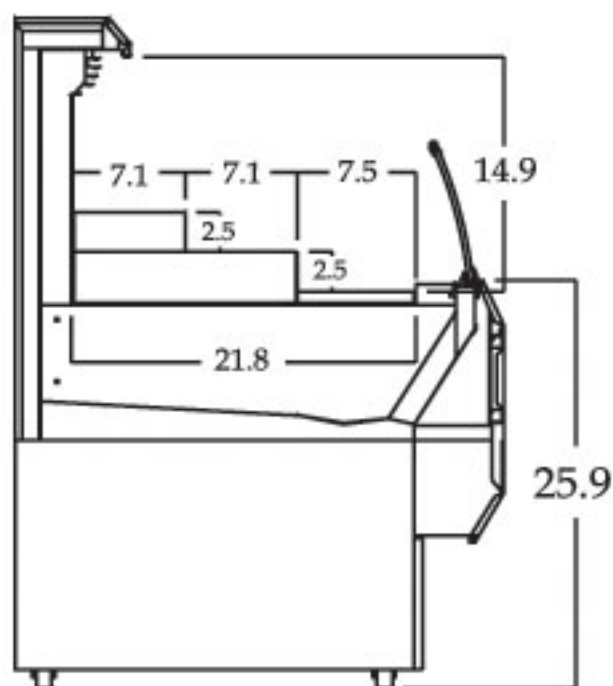
TOM-S COMBINATION WITH TOMD-H  
SIDE VIEW



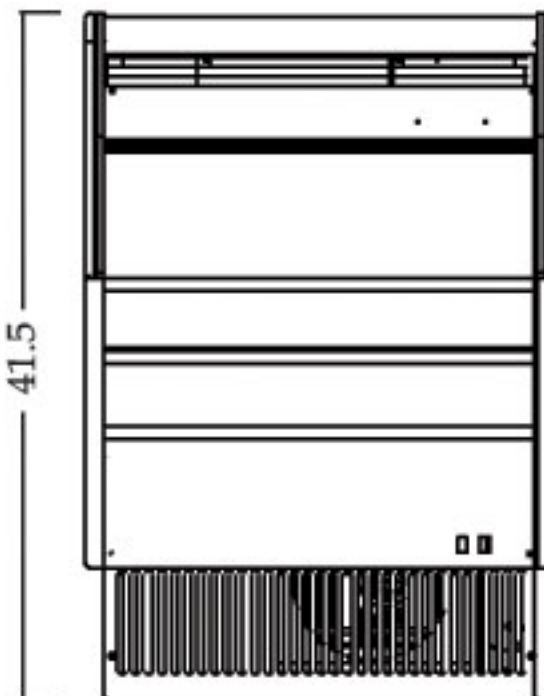
TOMD-30-H PLAN VIEW



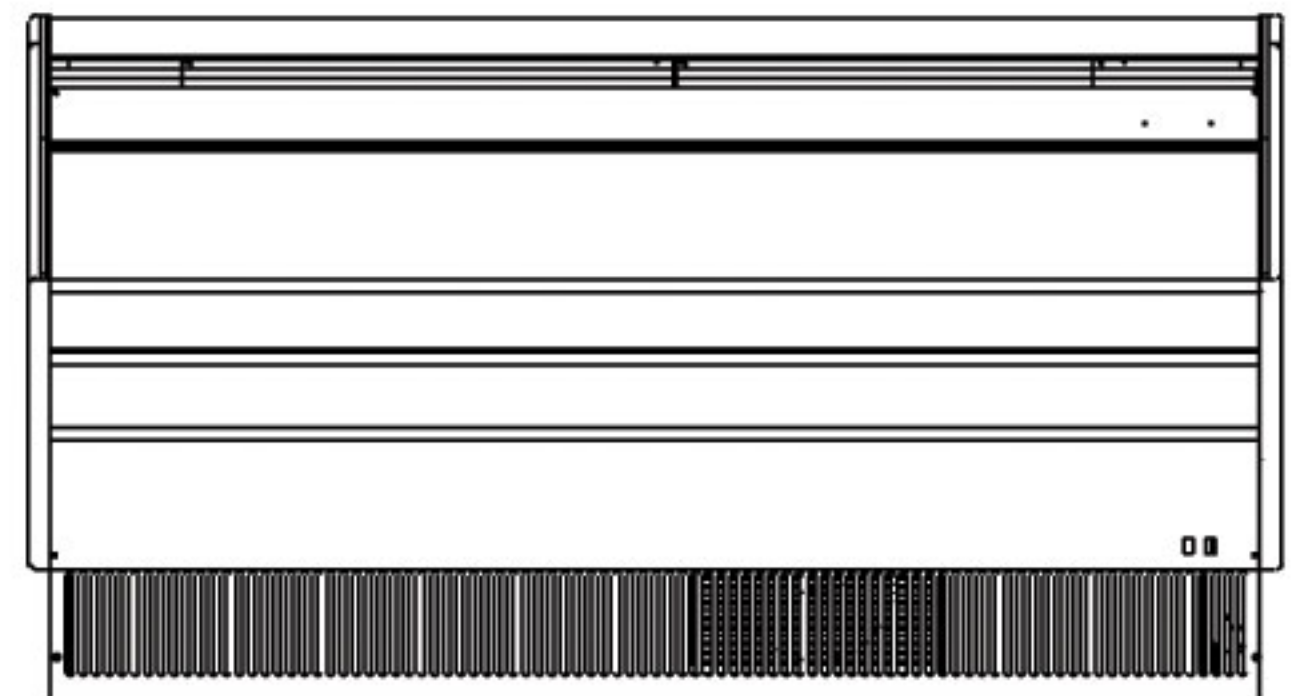
TOMD-75-H PLAN VIEW



TOM-S SIDE VIEW



TOM-30S FRONT VIEW



TOM-75S FRONT VIEW